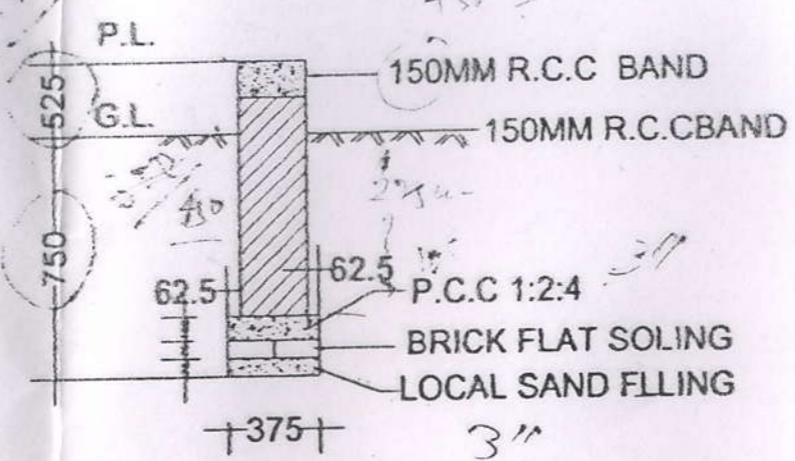
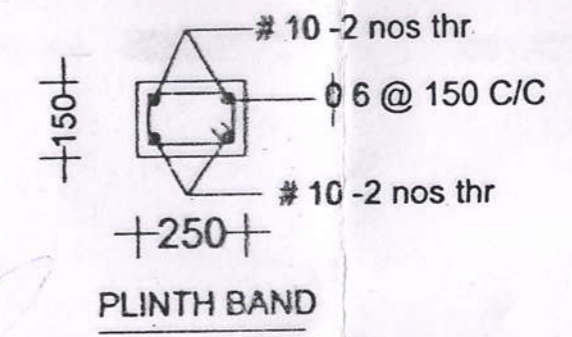


DETAIL OF FOUNDATION LAY OUT PLAN



SECTION AT (Y) - (Y)



PLINTH BAND

- NOTES :-**
- 1) NOTES AND INSTRUCTIONS INDICATED BELOW SHALL BE FOLLOWED WITH DUE RESPONSIBILITY BY ENGINEER IN-CHARGE DURING EXECUTION OF THE PROJECT
  - 2) THE ENGINEER IN-CHARGE SHALL STUDY IN-DEPTH THE ARCHITECTURAL / STRUCTURAL DRAWINGS OF THE BUILDING BEFORE EXECUTION AND AMBIGUITY IF ANY NOTICED BY HIM SHALL BE REPORTED TO S.E./SR. ARCHITECT/SR. STR. ENGR. FOR NECESSARY ACTION.
  - 3) ALL DIMENSIONS ARE IN mm
  - 4) ALL DESIGN MIX CONCRETE OF GRADE M 15 HAVING MINIMUM CEMENT CONTENT 300 kg/m<sup>3</sup>, Max W/C = 0.5 FOR COARSE AGGREGATE 20 mm SIZE.
  - 5) # INDICATES HYSD BARS OF GRADE F<sub>250</sub>
  - 6) ALL CONCRETE SHALL BE MACHINE MIXED AND VIBRATED.
  - 7) NOMINAL COVER (IN CLEAR CONCRETE COVER TO ALL REINFORCEMENTS, INCLUDING LINKS) FOR FOUNDATION = 50, COLUMN = 40, BEAM = 30 AND SLAB = 30
  - 8) d = DIA OF MAIN BAR
  - 9) D = OVERALL DEPTH OF BEAM, d' = EFFECTIVE DEPTH OF BEAM / SLAB
  - 10) D<sub>s</sub> = OVERALL DEPTH OF SLAB
  - 11) T = EDGE THICKNESS OF SLAB
  - 12) L<sub>d</sub> = EFFECTIVE DEVELOP. LENGTH CONSIDERING TENSION 41X BAR DIA.
  - 13) LAP LENGTH > L<sub>d</sub> OR 30 TIMES BAR DIA, WHICHEVER IS MORE.
  - 14) L<sub>c</sub> = EFFECTIVE DEVELOP. LENGTH CONSIDERING COMPRESSION 33X BAR DIA.
  - 15) SIDE FACE REINFORCEMENT IN BEAMS = 0.1% OF WE AREA EQUALLY DISTRIBUTED ON BOTH FACES WHERE DEPTH OF WEB > 750 FOR STRAIGHT BEAMS IN FLEXURE ONLY < 0.005 d<sub>s</sub> OR WEB THICKNESS, WHICHEVER IS LESS.
  - 16) SIDE FACE REINFORCEMENT IN BEAMS RESISTING TORSION AND HAVING DEPTH OF CROSS SECTION > 450 SHALL BE SAME AS IN NOTE (14)
  - 17) ONLY WRITTEN DIMENSIONS ARE TO BE FOLLOWED, AMBIGUITY, IF ANY, SHALL BE BROUGHT TO THE NOTICE OF THE S.E (M) B.P.C.C. PATNA.
  - 18) P.P.F./M.F.F./R.F.F./S.G.F. OF PREFABRICATED STRUCTURE.
  - 19) THIS DRAWING SHALL BE READ WITH ARCHITECTURAL DRAWINGS
  - 20) No. 352, S.L. NO. 351, DATED: 23-06-2016

**B) DESIGN PARAMETERS**



**BIHAR POLICE BUILDINGS  
CONSTRUCTION CORPORATION.  
PATNA-14**

Sheet Title  
**DETAIL OF FOUNDATION LAY OUT PLAN**

*Upendra Das*  
17-12-16  
**UPENDRA DAS**  
DRAUGHTSMAN

*J.E.*  
17/12/16  
**J.E. DESIGN**

**A.E. DESIGN**

PROJECT :-  
**PROPOSED PREFABRICATED STRUCTURE OF  
ONE UNIT W.C & BATH**

DRG NO: \_\_\_\_\_ Sheet No.- \_\_\_\_\_ DATE:- \_\_\_\_\_

**DESIGN ENG**

*V.N.*  
17.12.16  
**SR. DESIGN ENGR.**

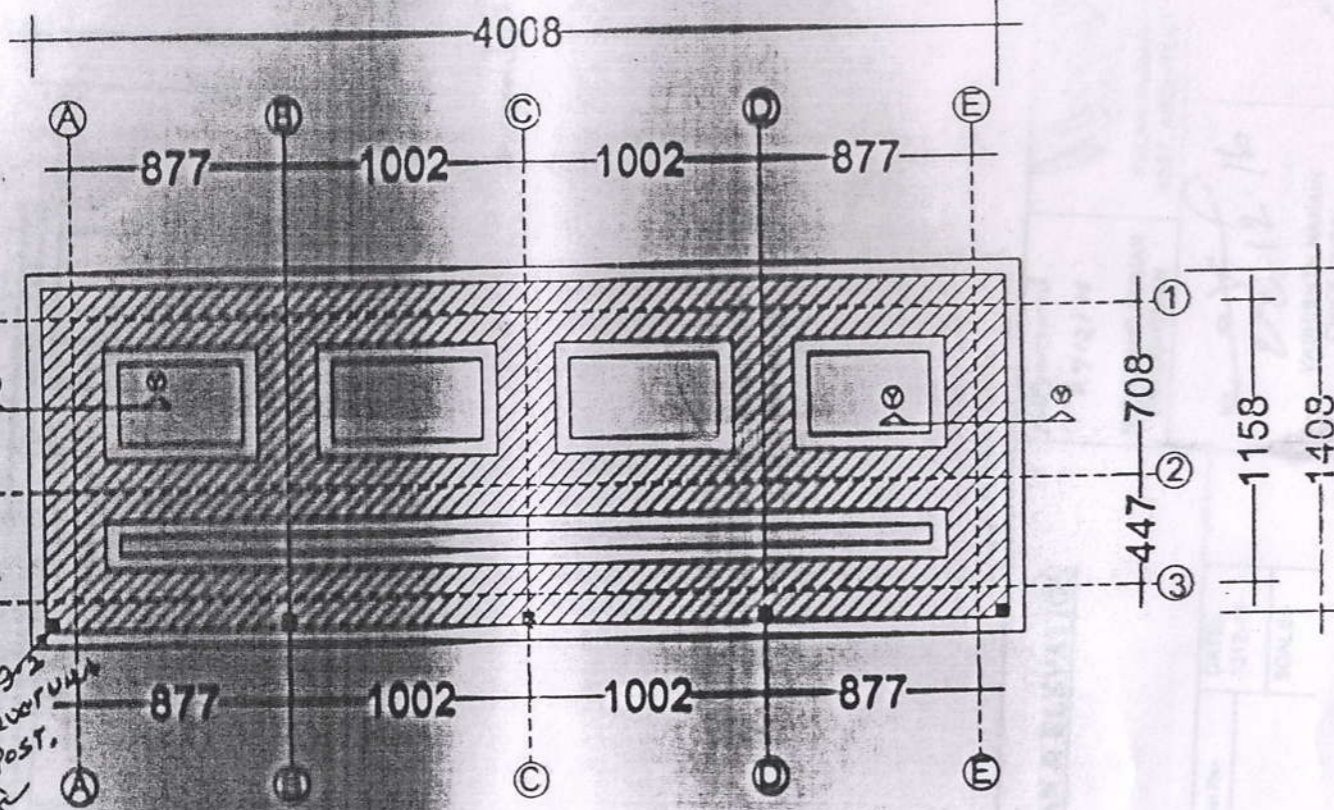
SRL. NO: \_\_\_\_\_ SCALE:- \_\_\_\_\_

**SR. ARCHITECT**

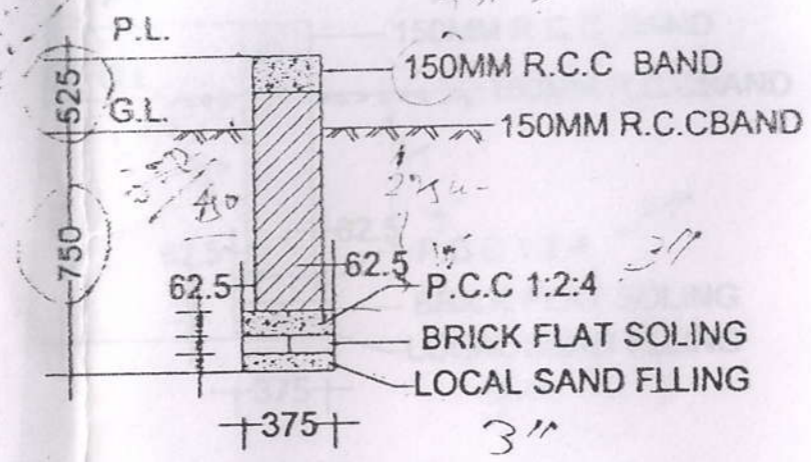
**S ENGR**

**VASHISHTH NARAIN**  
CHIEF ENGR.

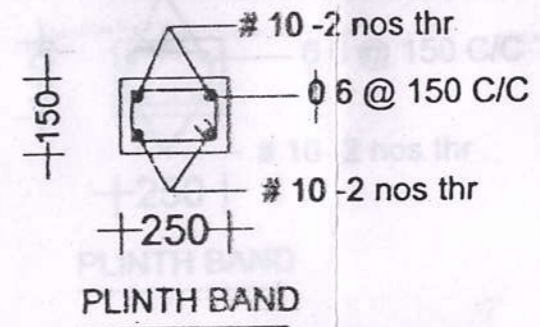




DETAIL OF FOUNDATION LAY OUT PLAN



SECTION AT (Y) - (Y)



PLINTH BAND

- NOTES :-**
- NOTES AND INSTRUCTIONS INDICATED BELOW SHALL BE FOLLOWED WITH THE RESPONSIBILITY BY ENGINEER IN-CHARGE DURING EXECUTION OF THE PROJECT
  - THE ENGINEER IN-CHARGE SHALL STUDY IN DEPTH THE ARCHITECTURAL/ STRUCTURAL DRAWINGS OF THE BUILDING BEFORE EXECUTION AND AMBIGUITY IF ANY NOTICED BY HIM SHALL BE REPORTED TO S.E.A.R. ARCHITECT/SR. STR ENGR. FOR NECESSARY ACTION.
  - ALL DIMENSIONS ARE IN mm
  - ALL DESIGN MIX CONCRETE OF GRADE M 15 HAVING MINIMUM CEMENT CONTENT 300 kg/m<sup>3</sup>, Max W/C = 0.5 FOR COARSE AGGREGATE 20 mm SIZE.
  - # INDICATES HYSD BARS OF GRADE Fe 500.
  - ALL CONCRETE SHALL BE MACHINE MIXED AND VIBRATED.
  - NOMINAL COVER (i.e. CLEAR CONCRETE COVER TO ALL REINFORCEMENTS, INCLUDING LINKS) FOR FOUNDATION - 50, COLUMN - 40, BEAM - 30 AND SLAB - 30
  - d = DIA OF MAIN BAR.
  - D = OVERALL DEPTH OF BEAM, d - EFFECTIVE DEPTH OF BEAM / SLAB
  - D<sub>s</sub> = OVERALL DEPTH OF SLAB.
  - T = EDGE THICKNESS OF SLAB.
  - L<sub>d</sub> = EFFECTIVE DEVELOP. LENGTH CONSIDERING TENSION 41X BAR DIA.
  - LAP LENGTH > L<sub>d</sub> OR 30 TIMES BAR DIA. WHICHEVER IS MORE.
  - L<sub>dc</sub> = EFFECTIVE DEVELOP. LENGTH CONSIDERING COMPRESSION 33X BAR DIA.
  - SIDE FACE REINFORCEMENT IN BEAMS - 0.1% OF WE AREA EQUALLY DISTRIBUTED ON BOTH FACES WHERE DEPTH OF WEB > 750 FOR STRAIGHT BEAMS IN FLEXURE ONLY @ <math>300S</math> OR WEB THICKNESS, WHICHEVER IS LESS.
  - SIDE FACE REINFORCEMENT IN BEAMS RESISTING TORSION AND HAVING DEPTH OF CROSS SECTION > 450 SHALL BE SAME AS IN NOTE (14)
  - ONLY WRITTEN DIMENSIONS ARE TO BE FOLLOWED. AMBIGUITY, IF ANY, SHALL BE BROUGHT TO THE NOTICE OF THE S.E. (M) B.P.C.C. PATNA.
  - PREPARED BY: S.M.S. PATNA
  - THIS DRAWING SHALL BE READ WITH ARCHITECTURAL DRAWING No. 352, S.L. NO. 351, DATED: 23-06-2016
- B) DESIGN PARAMETERS**



**BIHAR POLICE BUILDINGS  
CONSTRUCTION CORPORATION.  
PATNA-14**

Sheet Title

DETAIL OF FOUNDATION LAY OUT PLAN

*Upendra Das*  
17-12-16  
UPENDRA DAS  
DRAUGHTMAN

*J.E.*  
17/12/16  
J.E. DESIGN

A.E. DESIGN

DESIGN ENG

*SR. Design Engr.*  
17.12.16  
SR. DESIGN ENGR.

PROJECT -  
PROPOSED PREFABRICATED STRUCTURE OF  
ONE UNIT W.C & BATH

DRG NO:

Sheet No.:

DATE:-

SRL NO:

SCALE:-

SR. ARCHITECT

S ENGR

VASHISHTH NARAIN  
CHIEF ENGR